

# 125GMT10/125GMT15

## Installation Guide



**Amphenol**  
NETWORK SOLUTIONS™

## Installation Guide, Part Number 150566 A0

Copyright 2020, Amphenol Network Solutions, All rights reserved.

Amphenol Network Solutions  
22425 E. Appleway Ave #11  
Liberty Lake, WA 99019

Amphenol Network Solutions assumes no liability from the application or use of these products. Amphenol Network Solutions does not convey any license under its patent rights nor the patent rights of others. This document and the products described herein are subject to change without notice.

### About

Amphenol Network Solutions is a global innovative original equipment manufacturer that serves the data and communications markets. We design, manufacture, and distribute products for customers who need an end to end solution for network connectivity, fiber, power distribution and rack management. We collaborate with our customers to deliver product solutions that exceed expectations with innovative designs and world class quality. Amphenol Network Solutions is the industry thought leader on network cable management.



Telect, Inc. has been a market leader in secondary DC power distribution for over 36 years. Through our acquisition by Amphenol and our merger with All Systems Broadband, to become Amphenol Network Solutions, we have continued to deliver reliable, high-quality solutions to power, protect, and monitor today's network servers and equipment. We are proud to be an Amphenol company that will continue to be Powered by Telect.

### Technical Support

Email: [support@amphenol-ns.com](mailto:support@amphenol-ns.com)  
Phone: 509.926.6000

## Table of Contents

Section One: Overview .....	5
1.1 About this Guide .....	5
1.2 125GMT Configurations .....	6
1.3 125GMT Overview .....	6
1.4 Specifications.....	8
Section Two: Installation.....	9
2.1 Important Installation Guidelines .....	9
2.2 Installation Instructions .....	9
2.2.1 Mounting brackets.....	10
2.2.2 Optional tie bar installation (Connectorized panels only) .....	10
2.2.3 Rack mounting.....	11
2.2.4 Grounding.....	12
2.2.5 Input Wiring.....	13
2.2.6 Remove alarm cover .....	14
2.2.7 Alarming .....	14
2.2.8 Installing fuses .....	15
2.2.9 Alarm Terminals.....	15
2.2.10 Output wiring (Terminal block versions) .....	16
2.2.11 Output wiring (Connectorized versions) .....	17
2.2.12 Install rear cover .....	19
2.3 Tie Bar.....	20
2.4 Parts & Accessories.....	20
2.4.1 Ordering Information .....	21
2.4.2 GMT Fuses.....	21
2.4.3 Lug Reference Guide.....	22
Section Three: Drawings .....	23
3.1 125GMT Drawings .....	23

## List of Figures

Fig. 1-1: 125GMT15 front view .....	6
Fig. 1-2: 125GMT15 rear view .....	6
Fig. 1-3: 125GMT10-C front view.....	7
Fig. 1-4: 125GMT10-C rear view .....	7
Fig. 2-1: Installing mounting brackets .....	10

Fig. 2-2: Installing optional tie bar .....	10
Fig. 2-3: Installing panel in rack .....	11
Fig. 2-4: Grounding lug connection .....	12
Fig. 2-5: Input lugs.....	13
Fig. 2-6: Removing the alarm cover .....	14
Fig. 2-7: 125GMT15 LED status .....	14
Fig. 2-8: 125GMT15-C Alarm Terminals .....	15
Fig. 2-9: Output lugs .....	16
Fig. 2-10: Insert crimped terminals .....	17
Fig. 2-11: Connector front view .....	17
Fig. 2-12: Insert retainer .....	17
Fig. 2-13: Insert Connector .....	18
Fig. 2-14: Rear Cover .....	19
Fig. 2-15: Optional Tie Bar.....	20
Fig. 3-1: 125GMT10 and 125GMT10-C Front view .....	23
Fig. 3-2: 125GMT15 and 125GMT15-C Front view .....	23
Fig. 3-3: 125GMT10, 125GMT15, 125GMT10-C and 125GMT15-C Side view .....	23
Fig. 3-4: 125GMT10 Rear view.....	24
Fig. 3-5: 125GMT15 Rear view.....	24
Fig. 3-6: 125GMT10-C Rear view .....	24
Fig. 3-7: 125GMT15-C Rear view .....	24
Fig. 3-8: 125GMT10 and 125GMT15 Bottom view.....	24
Fig. 3-9: 125GMT10-C and 125GMT15-C Bottom view .....	24
Fig. 3-10: 125GMT10-C and 125GMT15-C with optional Tie Bar.....	24

## Section One: Overview

### 1.1 About this Guide

This manual provides a comprehensive overview of and installation guidelines for the 125GMT family of power distribution panels. While care has been taken to define all necessary information, complete details may not be covered. If you have any questions, contact Amphenol Network Solutions Technical Support at support@amphenol-ns.com or call 1-509-926-6000.

Throughout this guide, select information is highlighted in the form of Notes, Alerts, Cautions, and Warnings. These notifications are prominent, and their importance is indicated as follows:

**NOTE:** General information to which the user should pay special attention.

#### **ALERT**

**ALERT!** Important information and/or instructions to which the user should adhere.

#### **CAUTION**

**CAUTION!** Indicates a hazardous situation, which could result in minor or moderate injury.

#### **WARNING**

**WARNING!** Indicates a hazardous situation, which could result in death or serious injury.

Amphenol Network Solutions assumes no liability from the application or use of these products. Amphenol Network Solutions does not convey a license under its patent rights, nor the patent rights of others. This document and the products described herein are subject to change without notice.

## 1.2 125GMT Configurations

GMT Fuse Panel	Part Number:
125A Dual-Feed, 10/10 Panel, Horizontal Inputs, Output Terminal Blocks	125GMT10
125A Dual-Feed, 10/10 Panel, Horizontal Inputs, Connectorized Outputs (Connectors purchased separately)	125GMT10-C
125A Dual-Feed, 15/15 Panel, Horizontal Inputs, Output Terminal Blocks	125GMT15
125A Dual-Feed, 15/15 Panel, Horizontal Inputs, Connectorized Outputs (Connectors purchased separately)	125GMT15-C

## 1.3 125GMT Overview

The Amphenol Network Solutions 125GMT family of 1RU, dual-feed 125A per feed, power distribution panels provide high-capacity,  $\pm 48V$ ,  $\pm 24V$ , and  $\pm 12V$  power protection for secondary power distribution to data and communications equipment. The Amphenol Network Solutions 125GMT family panels are also ideal for primary distribution in small central offices and at remote sites.



Fig. 1-1: 125GMT15 front view



Fig. 1-2: 125GMT15 rear view

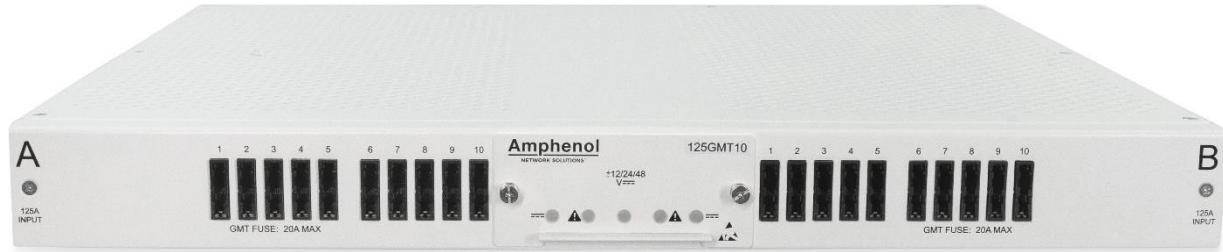


Fig. 1-3: 125GMT10-C front view



Fig. 1-4: 125GMT10-C rear view

This panel accommodates Cooper Bussmann and Littelfuse GMT fuses. The 125GMT10 and 125GMT15 have positions for 20 or 30 GMT fuses, respectively. The panel is UL rated using 20A GMT fuses with a maximum continuous output load of 14A. GMT fuses are sold separately. See [amphenol-ns.com](http://amphenol-ns.com) to order GMT fuses.

Sides A and B are electrically isolated including the alarm card, which contains power and GMT fuse status relays with dry, Form-C contacts. The contacts are connected to wire-wrap pins for connecting to external visual/audio alarms. Pins can also mate to a TE Connectivity 3-640428-3 connector. The alarm card also controls the four indicator LEDs on the front panel.

The feed inputs are horizontal and accommodate dual-hole lugs. The input terminals are studs. This panel is available with standard terminal block outputs or connectorized outputs. All input, output and alarm terminals are within the panel.

For the terminal block configurations, the outputs are staggered to accommodate waterfall cable management. Outputs accommodate single-hole lugs and the output terminals are screws.

For the connectorized output configurations, the output cables exit straight back from the panel. The outputs accommodate connectors that are easily assembled during installation.

The ground terminals can accommodate either dual-hole or single-hole lugs. The ground terminals are bolt connections on the sides of the panel, near the rear, and on the bottom of the panel, near the center rear. Only one ground connection is required.

## 1.4 Specifications

<b>Inputs:</b>		<b>Specifications:</b>
Voltage range (nominal voltage)		±12VDC, ±24VDC and ±48VDC
Max. input load rating		125A @ 65°C per panel 125A @ 55°C per panel (De-rated to 100A @ 65°C)
Short circuit withstand rating		5000A
Nominal power loss at full load		Less than 45W per side @5,000W full load per side (125A x 48V); 125A @ 65°C per panel
Percentage of full power dissipation at nominal voltage		Less than 0.5%
Max. input interrupt device		125% of panel rating (for 125A rated feeds)
Horizontal input terminal studs (with Keps nuts and flat washers) for dual-hole compression lugs		Two pairs of ¼-20 studs on 5/8" centers per terminal [max. lug width of .5" (12.7 mm)]. Torque bolts (using 7/16" or 12 mm socket) to 50 in/lb. (5.5 N•m), max.
Input wire size		#8 AWG to #1/0 AWG
Voltage range (nominal voltage)		±12VDC, ±24VDC and ±48VDC
<b>Grounding:</b>		<b>Specifications:</b>
Earth GND terminal bolts (with washers) for dual-hole compression lug		Three sets of ¼-20 threaded holes on 5/8" centers. Torque bolts (using 7/16" or 12 mm socket) to 50 in/lb. (5.6 N•m), max.
Ground wire size		#6 AWG to #1 AWG
<b>Outputs:</b>		<b>Specifications:</b>
Output fuse		20A GMT Fuse
Output load		14A continuous
Minimum short circuit interrupt rating		5000A
Optional: Terminal blocks, single-hole compression lugs		20 or 30, #6-32 screws [max. lug width of .31" (7.9)]. Torque screw to 8 in/lb. (.9 N•m), max.
Optional: Output wire size, single-hole compression lug		#22 AWG to #6 AWG
Optional: Connectors (purchased separately)		20 or 30, P24 connector plugs, latching, safe touch
Optional: Output wire size, connectors		#14 AWG to #10 AWG
GMT fuses		Cooper Bussmann and Littelfuse
<b>Alarms:</b>		<b>Specifications:</b>
Alarm relay contacts		2A @ 30VDC; 0.6A @ 60VDC
Max. alarm card power rating		@12V: 18 mA (0.22W); @24V: 20 mA (0.48W); @48V: 30 mA (1.44W)
Alarm wire size		#24 AWG, typical (#26 to #20 AWG)
Alarm terminals		Wire wrap or mates with TE Connectivity 3-640428-3
<b>Dimensions:</b>		<b>Specifications:</b>
125GMT10/125GMT15	Height:	1.75" (44 mm)
	Depth:	13.9" (353 mm)
	Width:	17" (432 mm) without brackets 19" and 23" brackets included with panel
125GMT10-C/125GMT15-C	Height:	1.75" (44 mm)
	Depth:	13.8" (350 mm) without tie bar 16.5" (419 mm) with tie bar
	Width:	17" (432 mm) without brackets 19" and 23" brackets included with panel Tie bar not included with panel Cable-end connectors not included with panel
<b>Compliance:</b>		<b>Specifications:</b>
UL		Listed
NEBS		Level 3



## Section Two: Installation

### 2.1 Important Installation Guidelines

- **Elevated Operating Ambient Temperature:** If installed in a closed or multi-unit rack assembly, the operating ambient temperature of the rack environment may be greater than room ambient. Consider installing the equipment in an environment compatible with the maximum ambient temperature (T<sub>ma</sub>) specified by the manufacturer.
- **Reduced Air Flow:** Maintain the amount of air flow required for safe operation when installing the equipment in a rack.
- **Mechanical Loading:** Ensure mechanical loading is even to prevent hazardous conditions.
- **Circuit Overloading:** Overloading circuits may affect your overcurrent protection and supply wiring. Use equipment nameplate ratings.
- **Reliable Earthing:** Maintain reliable earthing of rack-mounted equipment. Pay attention to supply connections other than direct connections to the branch circuit.
- **Disconnect Device:** Incorporate a readily accessible disconnect device in the building installation wiring.

### 2.2 Installation Instructions

#### ALERT

**ALERT! Only qualified technicians may install and maintain this product. Verify all connections meet requirements specified in local electric codes or operating company guidelines before supplying power. Protect this equipment with a breaker sufficient to interrupt power levels specified.**

**ALERT! Verify all connections meet requirements specified in local electric codes or operating company guidelines before supplying power. Unit shall be protected by a listed circuit breaker or branch-rated fuse rated minimum 125% of panel rating (for 125A rated feeds).**

**ALERT! Install this product in locations accessible only to qualified personnel.**

Please read these instructions carefully before beginning installation. If assistance is required, call Amphenol Network Solutions Technical Support at 1-509-926-6000 or email us at [support@amphenol-ns.com](mailto:support@amphenol-ns.com).

When you receive the equipment, carefully unpack it and compare it to the packaging list. Please report any defective or missing parts to Amphenol Network Solutions Quality at [quality@amphenol-ns.com](mailto:quality@amphenol-ns.com) or call 1-509-926-6000.

Amphenol Network Solutions is not liable for transit damage. If the product is damaged, please report it to the carrier and contact Amphenol Network Solutions Quality.

**NOTE:** For service or warranty information, please visit [amphenol-ns.com](http://amphenol-ns.com) and click on the support tab, email Amphenol Network Solutions at [getinfo@amphenol-ns.com](mailto:getinfo@amphenol-ns.com) or call us at 1-509-926-6000.

**NOTE:** The 125GMT family is suitable for installation as part of a Common Bonding Network (CBN) for installation in Network Telecommunication Facilities and OSP.

**NOTE:** The 125GMT family is DC-I and can be grounded in both CBN and IBN networks. All feeds have isolated returns and the chassis grounds are isolated from all returns. The 125GMT family is suitable for installation in Network Telecommunication Facilities and in locations where the NEC applies.

## 125GMT

### 2.2.1 Mounting brackets

1. The mounting brackets can be installed in 6 positions, from flush to 5 inch offset in 1 inch increments. Use included hardware to install the mounting brackets. Both 19" and 23" mounting brackets are included.
2. Tighten screws to 20 in/lb. (2.23 N•m).

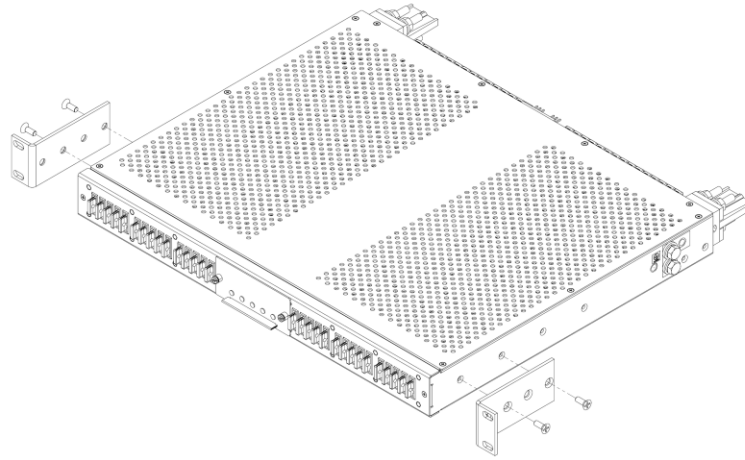


Fig. 2-1: Installing mounting brackets

### 2.2.2 Optional tie bar installation (Connectorized panels only)

3. Use included hardware in accessory kit to install tie bar. Standard tie bar is available as an accessory for connectorized panels.
4. Tighten screws to 8 in/lb. (.9 N•m).

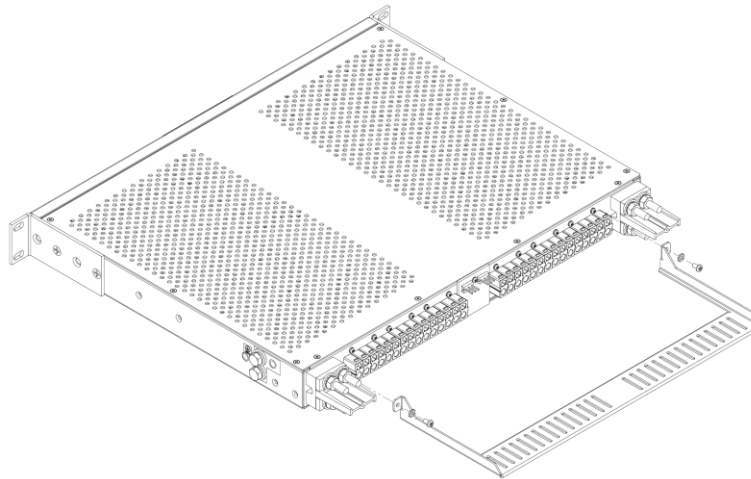


Fig. 2-2: Installing optional tie bar

### 2.2.3 Rack mounting

5. Locate an unused rack position and mount the panel using two sets of fasteners per side, as shown in Fig. 2-3. Mount the panel as high as possible on the rack. Use a seismic rack for best rigidity.
6. Tighten screws to 35 in/lb. (3.9 N•m).

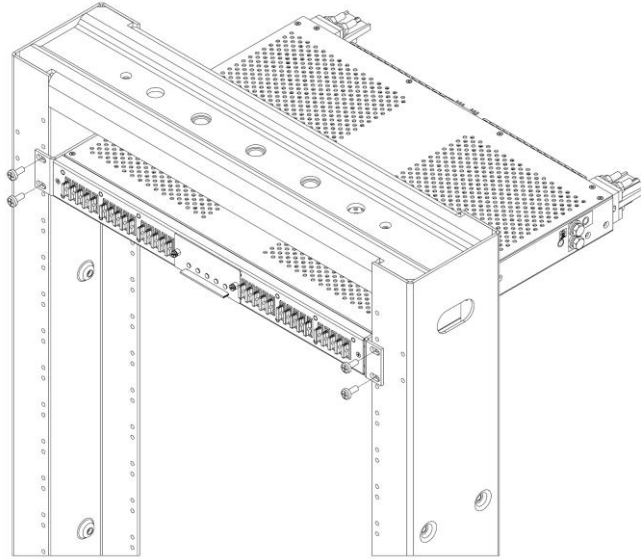


Fig. 2-3: Installing panel in rack

## 2.2.4 Grounding

### **WARNING**

**WARNING!** Failure to properly ground this equipment can create hazardous conditions to installation personnel and to the equipment.

### **ALERT**

**ALERT!** Only use components and crimping tools approved by agencies or certifying bodies recognized in your country or region such as Underwriter's Laboratories (UL), TUV, etc.

7. Use an approved crimping tool to attach an approved, dual-hole compression lug onto suitable grounding wire. (Size of ground depends on input interruption device.)
8. If required, lightly coat antioxidant on lug and grounding surface on the side or bottom of the panel. Connect the lug using  $\frac{1}{4}$ -20 bolts, split washers and flat washers provided, as shown in Fig. 2-4.
9. Tighten the bolt to 50 in/lb. (5.6 N•m), max.

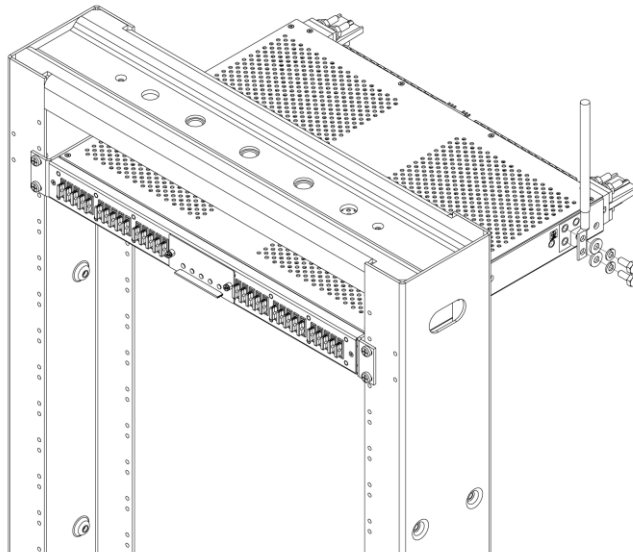


Fig. 2-4: Grounding lug connection

## 2.2.5 Input Wiring

### **WARNING**

**WARNING!** Before connecting input power cables, make sure input power to the panel is turned off.

10. Make sure input power is off before connecting the panel's input cables to the PDU or battery.
11. For input wiring, crimp dual-hole compression lugs onto #8 AWG to 1/0 AWG copper wires. The choice of input wiring depends on the following criteria:
  - Input interrupt device rating affects the size of input wiring.
  - Ambient operating temperature affects the type of input wire insulation. For further information, consult the National Electrical Code (NEC).
12. Insulate the lug barrels with UL94 V-0 rated heat-shrink tubing.
13. Clean terminals and lugs with a non-abrasive, non-metallic pad.
14. If required, lightly coat antioxidant on lugs and input BATT and RTN terminals and then connect lugs to input terminals, as shown in Fig. 2-5.
15. Tighten nut to 50 in/lb. (5.6 N•m), max.

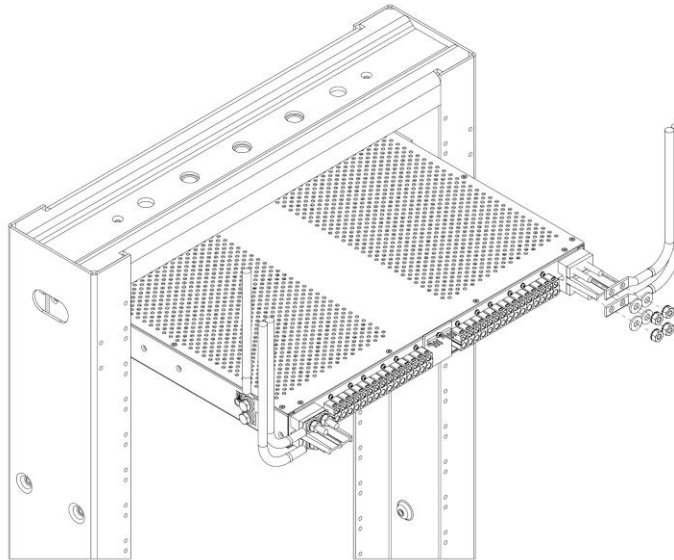


Fig. 2-5: Input lugs

### 2.2.6 Remove alarm cover

16. Remove alarm cover by using Phillips screwdriver, as shown in Fig. 2-6. Once the front cover has been taken off the panel, remove and discard the small pink packaging foam piece inside the front cover.

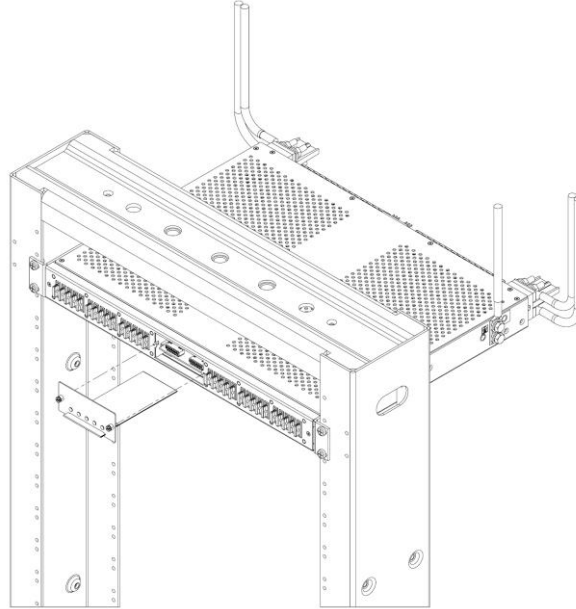


Fig. 2-6: Removing the alarm cover

### 2.2.7 Alarming

17. With all the GMT fuse positions empty, enable the breaker at the primary distribution unit or battery, 125% of panel rating (for 125A rated feeds) to turn on Feed A to Side A of the panel. Check voltage and polarity at input connectors of the panel.

Verify the following:

- A PWR LED on the front of panel turns green
- A ALM LED on the front of panel turns red
- B PWR LED remains off
- B ALM LED remains off

18. With A PWR LED green (normal operation) and A ALM LED red (alarm state) — but with B PWR LED and B ALM LED off — test ALM relay and contact alarm terminals:

- Expect an open circuit ( $\infty\Omega$ ) between terminals C and NC
- Expect continuity ( $0\Omega$ ) between terminals C and NO

19. With no output wires connected or with the output loads (devices fed by this panel) disabled, install fuses into the fuse positions.

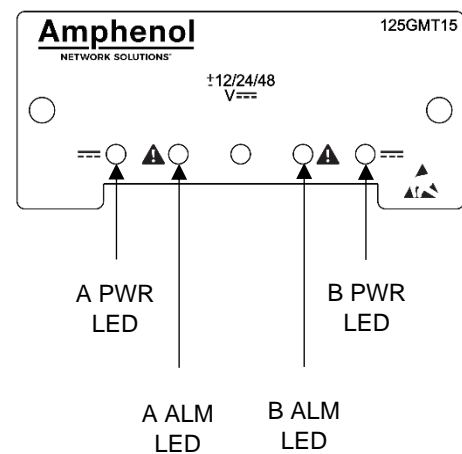


Fig. 2-7: 125GMT15 LED status

Verify the following:

- A PWR LED on the front of panel turns green
- A ALM LED turns off
- B PWR LED remains off
- B ALM LED remains off

20. With A PWR LED green (normal operation) and A ALM LED off (normal state) —but with B PWR LED and B ALM LED off — test A ALM relay and contact terminals:

- Expect continuity ( $0\Omega$ ) between terminals C and NC
- Expect an open circuit ( $\infty\Omega$ ) between terminals C and NO

21. Repeat steps 17-20 to power up side B. A PWR and B PWR LEDs must both be green.

**NOTE:** Dip switches on alarm card are not used and should remain in the off (up) position to prevent false alarming.

22. Reinstall the cover to the front of the panel using a Phillips screwdriver.

### 2.2.8 Installing fuses

23. Install GMT fuse into panel in appropriate positions.

24. For any positions without a GMT fuse, a dummy fuse must be inserted in its place. If a fuse is installed at a later time, remove the dummy fuse and retain for future use.

25. To remove a dummy fuse, use a small pair of needle nose pliers or equivalent to pull it out of position.

### 2.2.9 Alarm Terminals

26. The alarm terminals are located in the rear center of the panel. Refer to Fig. 2-8.

- It is possible to use a short, manual wire-wrap tool to install alarm wiring after securing the panel to the rack. As an alternate to wire wrap, TE Connectivity insulation displacement connector, part number 3-640428-3, can be used to connect to the alarm terminals.

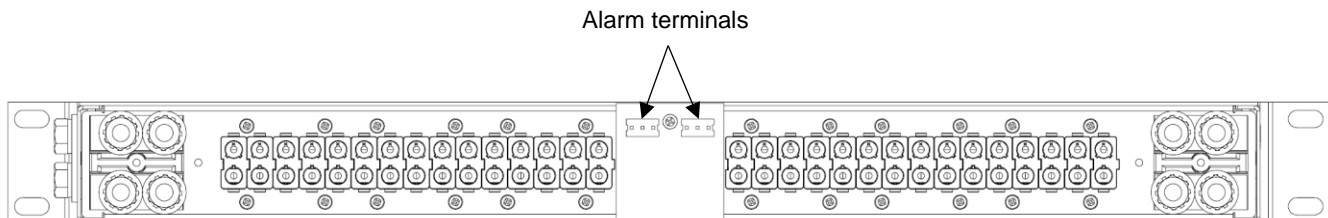


Fig. 2-8: 125GMT15-C Alarm Terminals



## 2.2.10 Output wiring (Terminal block versions)

### **WARNING**

**WARNING!** Before connecting output power cables, make sure input power to the panel is turned off.

27. For output wiring, crimp single-hole lugs onto one end of #22 to #10 AWG copper wires, as required by NEC. (Work with one output wire at a time.)
28. Insulate lug barrels with UL94 V-0 rated heat-shrink tubing.
29. Clean the panel terminal and lugs with a non-abrasive, non-metallic pad.
30. If required, lightly coat antioxidant on lugs and output BATT and RTN terminals and then connect lugs to terminals, as shown in Fig. 2-9. (NEC specifies only one lug and load at each output terminal.)

### **ALERT**

**ALERT!** Do not exceed torque rating. The output terminals are low electrical resistance, free floating terminals. Note that the top output terminals may rotate slightly within the rear of the panel. This is normal.

31. Tighten screws to no more than 8 in/lb. (.9 N•m), max. Then connect other end of output wire to load.

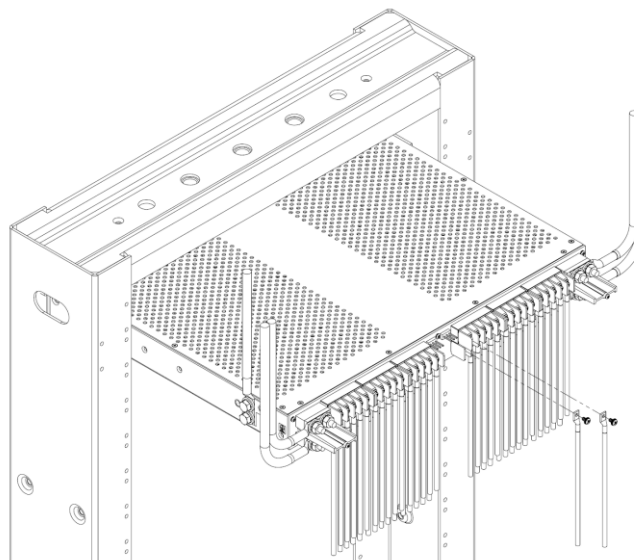


Fig. 2-9: Output lugs

32. With the output loads (devices fed by this panel) disabled, re-enable breakers at primary distribution unit or battery.
33. If applicable, check voltage and polarity *at loads*.
34. Record circuit assignments in accordance with operating company procedures and guidelines.
35. Enable equipment loads one at a time to verify proper operation of loads.



### 2.2.11 Output wiring (Connectorized versions)



#### **WARNING**

**WARNING! Before connecting output power cables, make sure input power to the panel is turned off.**

36. Output connectors are available in two sizes, #14-12 AWG and #12-10 AWG. Depending on the output connector, crimp terminals onto one end of #14 to #10 AWG copper wires using Daniels M300BT crimp tool or Burndy Y8MRB-1 crimp tool. (Work with one output wire at a time.)

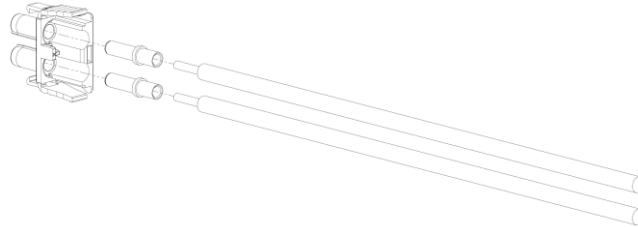


Fig. 2-10: Insert crimped terminals

37. Insert terminals into plug housing as shown in Fig. 2-10 and Fig. 2-11. The battery terminal goes in the position on the connector with 2 locator fins and is marked “2”. The return terminal goes in the position on the connector with 1 locator fin and is marked “1”.

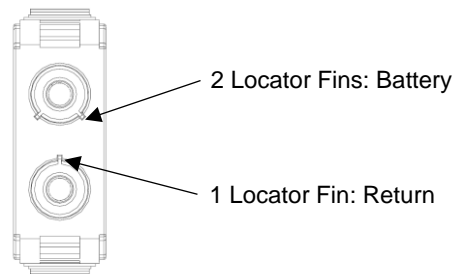


Fig. 2-11: Connector front view

38. Insert retainer into plug housing as shown in Fig. 2-12.

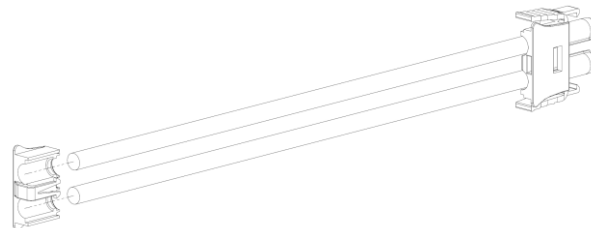


Fig. 2-12: Insert retainer

**Note:** If cables were placed in incorrect position, use a small pair of needle nose pliers or equivalent to squeeze the retainer latch together. With latches released, grip the plug housing and pull on cables to remove retainer.

39. Insert the connector into the panel as shown in Fig. 2-13. Ensure that the plug latches into place. Then connect other end of output wire to load.

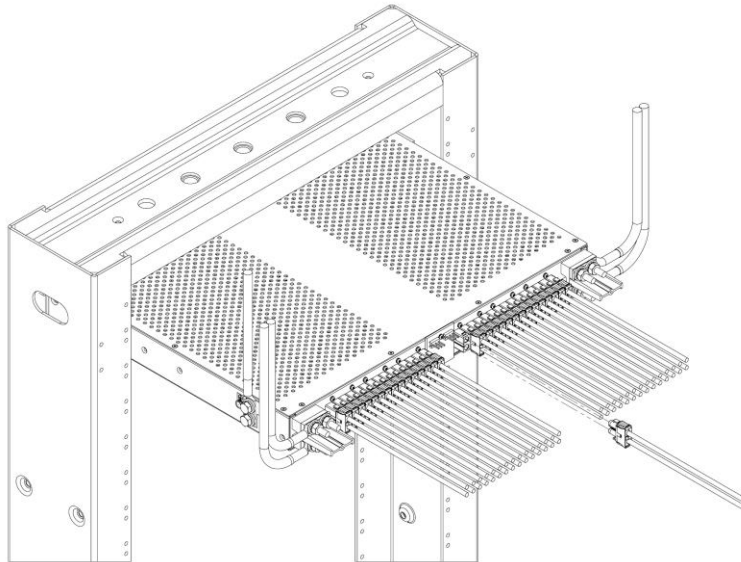


Fig. 2-13: Insert Connector

40. With the output loads (devices fed by this panel) disabled, re-enable breakers at primary distribution unit or battery.
41. If applicable, check voltage and polarity *at loads*.
42. Record circuit assignments in accordance with operating company procedures and guidelines.
43. Enable equipment loads one at a time to verify proper operation of loads.

### 2.2.12 Install rear cover



#### **WARNING**

**WARNING!** The rear cover protects the rear of the panel while energized. Not installing the rear cover may create an electrical hazard.

44. Install rear plastic cover using provided hardware, as shown in fig. 2-14.

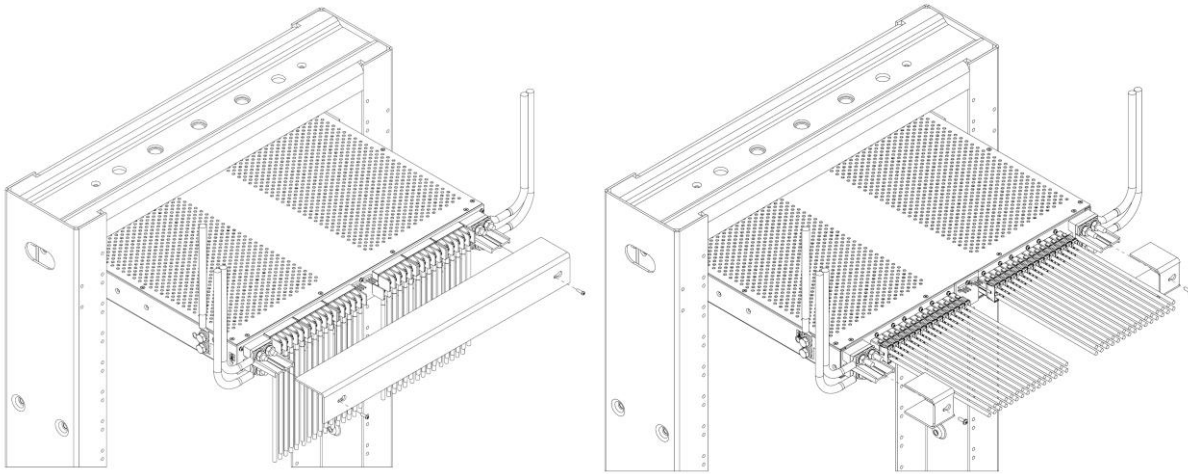


Fig. 2-14: Rear Cover

## 2.3 Tie Bar



Fig. 2-15: Optional Tie Bar

## 2.4 Parts & Accessories

The following tables list optional and replacement items for the panel. For wire sizing and labeling, please refer to *Wire Sizing & Label Convention* (Amphenol Network Solutions Part No. 117995) included with your panel. Order parts and accessories online at [amphenol-ns.com](http://amphenol-ns.com).

### Steps for configuring a panel:

1. Determine the number of load connections required (one load connection per populated fuse position).
2. Select fuses:
  - Select fuse quantity equal to the number of load connections
  - Select fuse amperage values

### 2.4.1 Ordering Information

<b>GMT Fuse Panel</b>	<b>Part Number</b>
125A Dual-Feed, 10/10 Panel, Horizontal Inputs, Output Terminal Blocks	125GMT10
125A Dual-Feed, 10/10 Panel, Horizontal Inputs, Connectorized Outputs (Connectors purchased separately)	125GMT10-C
125A Dual-Feed, 15/15 Panel, Horizontal Inputs, Output Terminal Blocks	125GMT15
125A Dual-Feed, 15/15 Panel, Horizontal Inputs, Connectorized Outputs (Connectors purchased separately)	125GMT15-C
<b>Accessories (Purchased Separately):</b>	<b>Part Number:</b>
Tie Bar Kit: Connectorized, Rear Mount Tie Bar, Mounting Hardware	307653
<b>Replacement Components:</b>	<b>Part Number:</b>
Replaceable Alarm Card	307608
Dummy GMT fuse	132748
19" Mounting Bracket Kit: 2x 19" Brackets, Mounting Hardware	PMTG19
23" Mounting Bracket Kit: 2x 23" Brackets, Mounting Hardware	PMTG23
<b>Connectors:</b>	<b>Part Number:</b>
P24 Connector Kit: GMT, 12-10 AWG, Plug, Retainer, 2x Contacts	150336
P24 Connector Kit: GMT, 14-12 AWG, Plug, Retainer, 2x Contacts	150342
P24 Connector 5 Pack: GMT, 12-10 AWG, Set of 5 Plug Kits	150336-5
P24 Connector 5 Pack: GMT, 14-12 AWG, Set of 5 Plug Kits	150342-5
P24 Replaceable Contact: GMT, 12-10 AWG, Single Contact	150343
P24 Replaceable Contact: GMT, 14-12 AWG, Single Contact	150344
Crimp Tool: 14-6 AWG, Daniels, M300BT	150793
Crimp Tool Locator: Universal, Daniels, UH2-5	150794

### 2.4.2 GMT Fuses

<b>GMT Fuses:</b>	<b>Part Number:</b>
18/100A	130781
1/4A	100151
1/2A	004001
3/4A	004008
1A	100991
1-1/3A	004006
1-1/2A	004011
2A	004002
2-1/2A	130783
3A	004012
3-1/2A	130782
4A	004013
5A	004014
7-1/2A	004010
10A	004015
12A	102287
15A	102288
20A	127240
20A with cover	131340

**⚠ ALERT**

**ALERT!** Only use components and crimping tools approved by agencies or certifying bodies recognized in your country or region such as Underwriter's Laboratories (UL), TUV, etc.

**2.4.3 Lug Reference Guide**

Input Cables: 2 Hole $\frac{1}{4}$ " on $\frac{5}{8}$ " Centers Max. Width .5"						
	2/0	1/0	#1	#2	#4	#6
T&B	—	—	—	—	—	54205
Panduit	—	—	—	LCDN2-14A-Q*	—	LCD6-14A-L
Burndy	YA26L2NT14*	YA25L2NT14*	YA1CL-2NT14*	YA2CL2NT14*	YA4C-2L	YA6C-2L

\*Narrow tongue lug

Output Cables: 1 Hole 6-32 Max. Width .31"					
	#6	#8	#10-#12	#14-#16	#18-#22
Tyco	—	—	329697	320619	51863
Panduit	LCAN6-6-L*	LCAN8-6-L*	PN12-6HDR-D	PV14-6RNB-3K	PN18-6R-M
Burndy	YA6CLNT6*	YA8CLNT6*	—	YAE14N-43BOX	YAE18N-21BOX

\*Narrow tongue lug

Ground Cables: 2 Hole $\frac{1}{4}$ " on $\frac{5}{8}$ " Centers			
	#1	#2	#4
T&B	54208	54207	54206
Panduit	LCD1-14A-E	LCD2-14A-Q	LCD4-14A-L
Burndy	YA1CL-2TC14	YA2CL-2TC14	YA4CL-2TC14

## Section Three: Drawings

### 3.1 125GMT Drawings

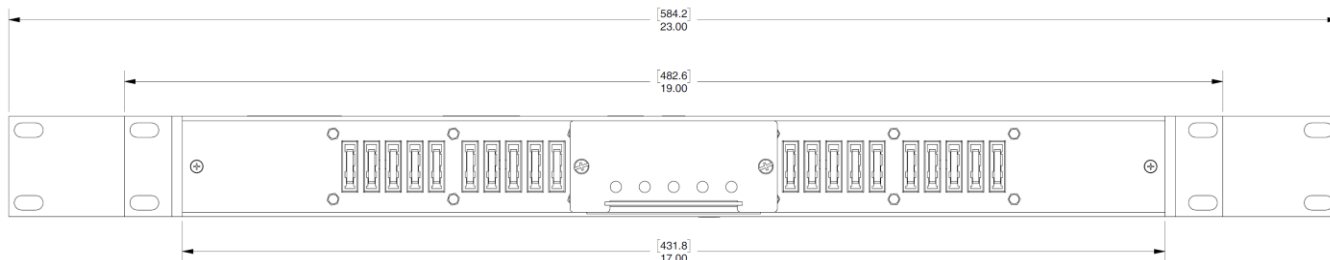


Fig. 3-1: 125GMT10 and 125GMT10-C Front view

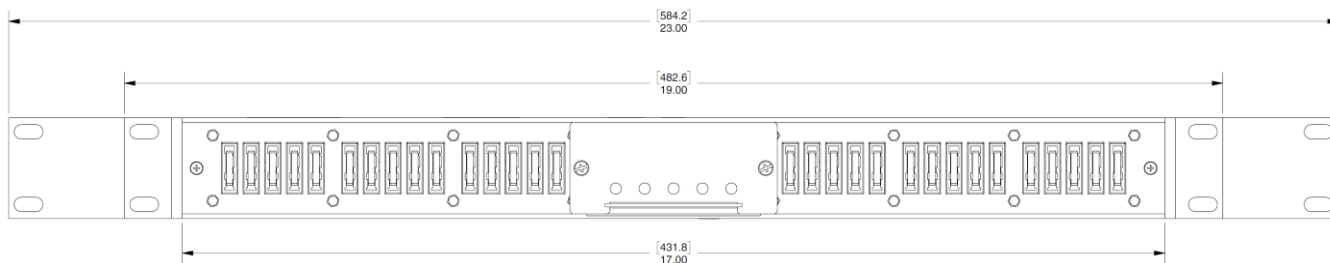


Fig. 3-2: 125GMT15 and 125GMT15-C Front view

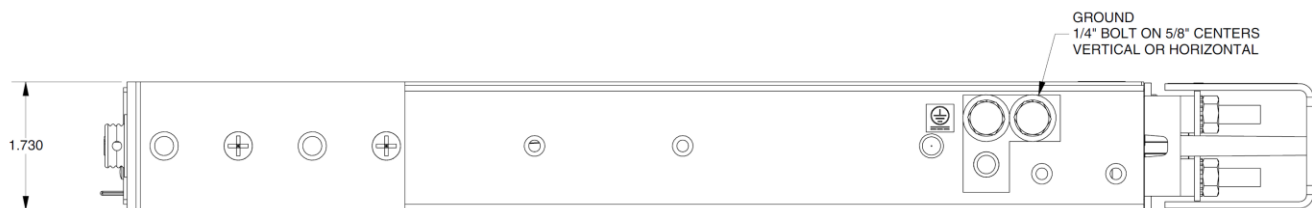


Fig. 3-3: 125GMT10, 125GMT15, 125GMT10-C and 125GMT15-C Side view

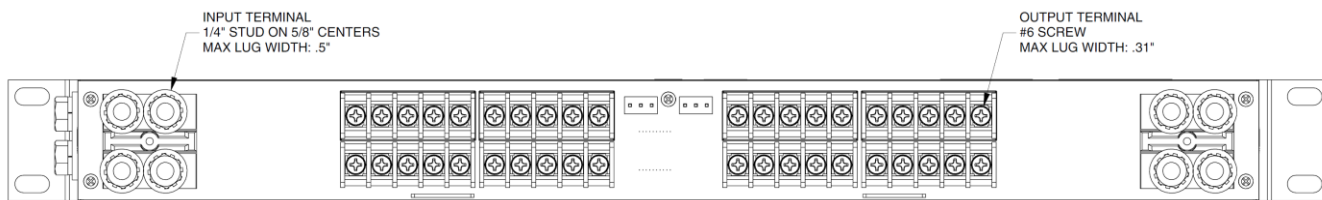


Fig. 3-4: 125GMT10 Rear view

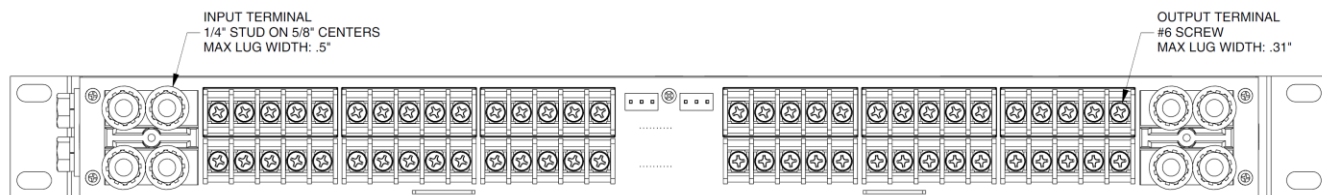


Fig. 3-5: 125GMT15 Rear view

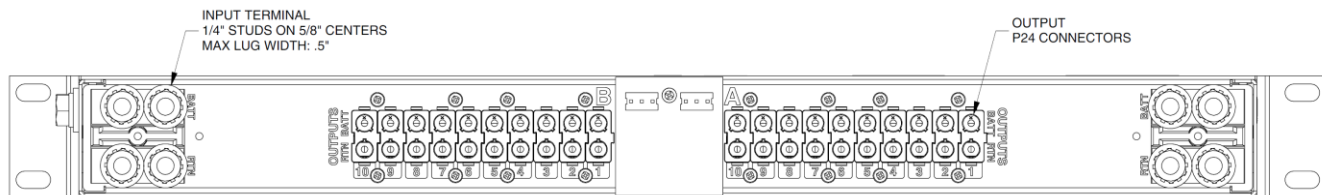


Fig. 3-6: 125GMT10-C Rear view

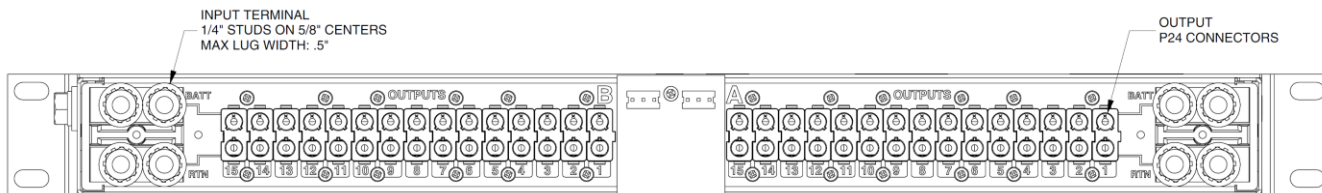


Fig. 3-7: 125GMT15-C Rear view



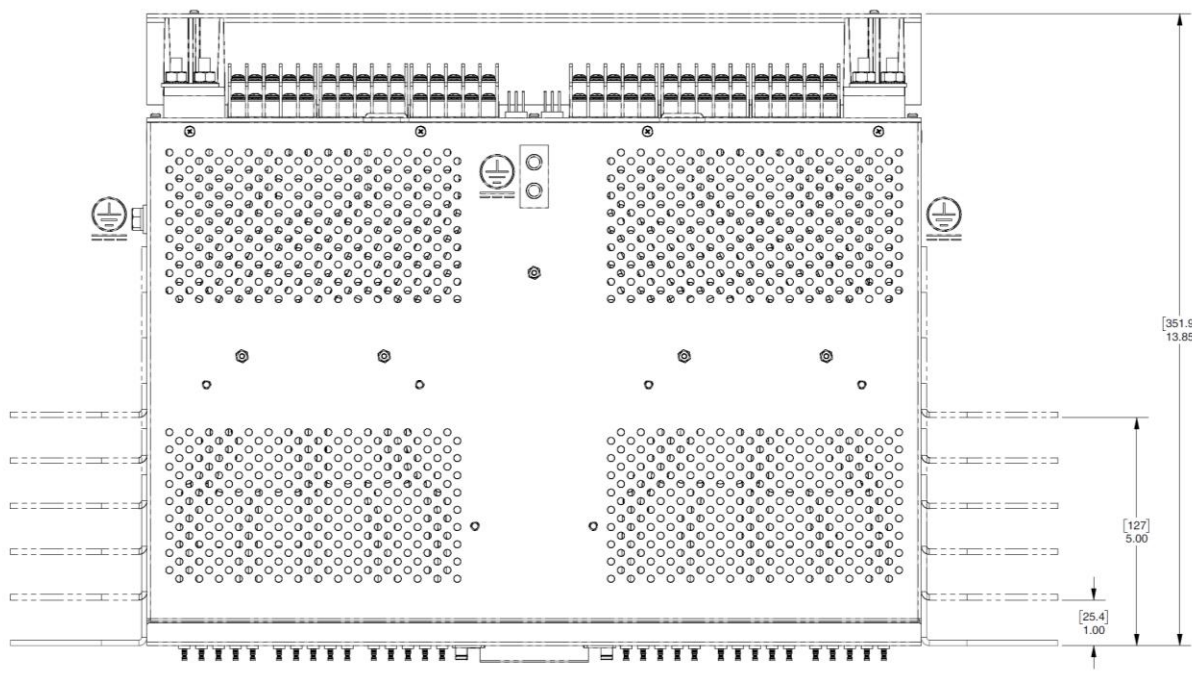


Fig. 3-8: 125GMT10 and 125GMT15 Bottom view

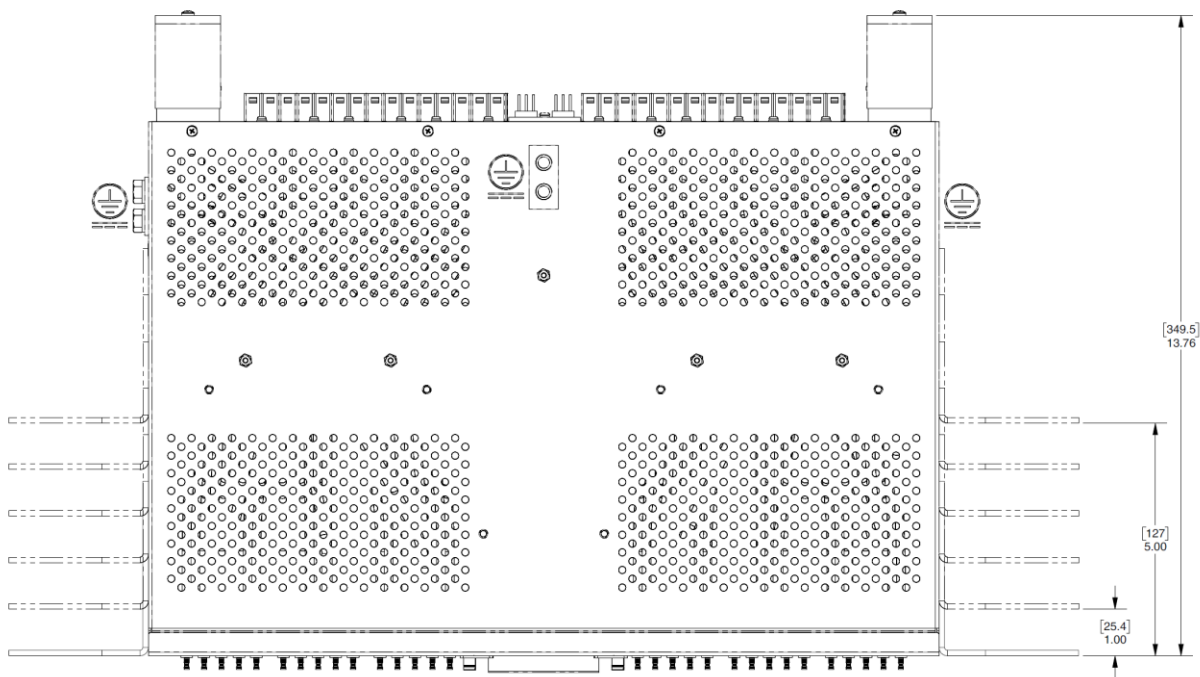


Fig. 3-9: 125GMT10-C and 125GMT15-C Bottom view

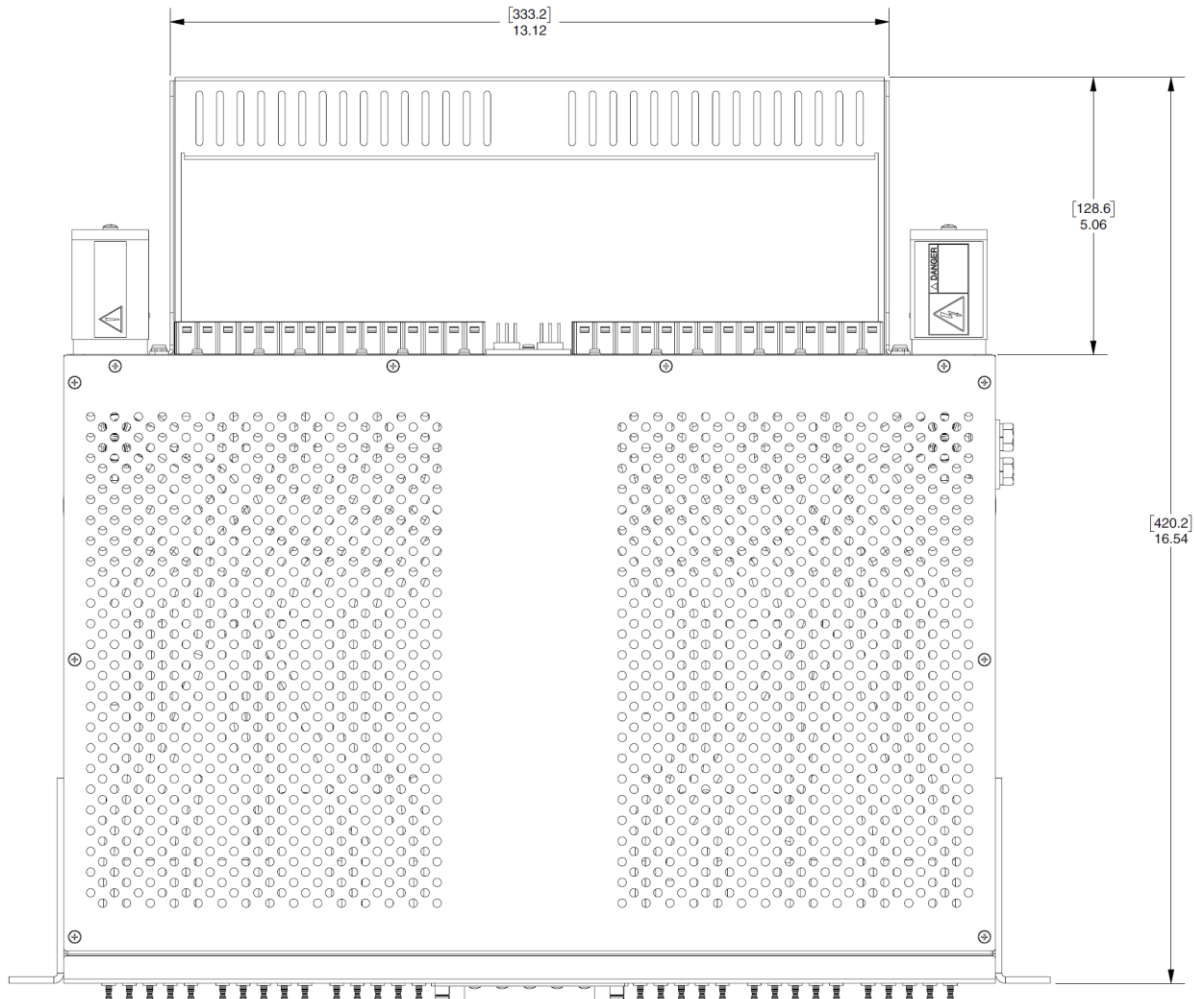


Fig. 3-10: 125GMT10-C and 125GMT15-C with optional Tie Bar