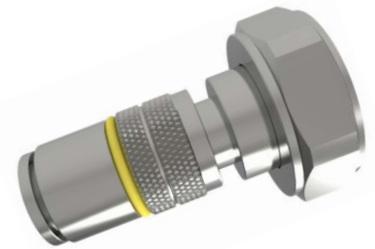
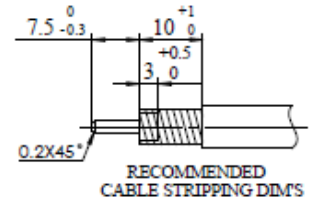
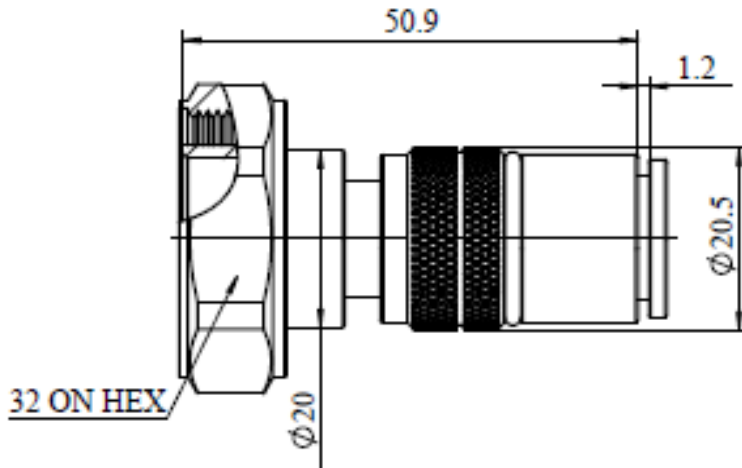


Specification

Product Description	7/16 Screw Male Compression Connector for 1/4" Superflexible Cable	Date: 2019.10.23
Part NO.	AFB283-1	Ver. 2

UNIT: mm



Reference Standard

IEC61169-4

Electrical Performance

Nominal Impedance (Ω)	50
Frequency Range	DC~6GHz
VSWR	≤1.15(0-3GHZ) ≤1.25(3-6GHZ)
VSWR(DTF)	≤1.05(0-3GHZ) ≤1.10(3-6GHZ)
PIM (dBc)	≤-160(2*43dBm)
Insertion Loss	≤0.05 √ F(GHz)
Insulation Resistance(MΩ/500VDC)	≥5000
Proof Voltage (V/AC)	≥1000
Contact Resistance (mΩ)	≅0.8(Inner Conductor) ≅0.2 (Outer Conductor)

Mechanical Performance	
Interface Durability	500 Cycles
Nut Torque	25N.m
(Nut) Whorl Pull	1000 N
Tensile Force (Cable-Connector)	250 N
Torsion (Cable-Connector)	1.5 N.m
Weight	115.26g

Material and Plating		
Connector Parts	Material	Plating
Inner Conductor	Beryllium Bronze	Ag 5μm
Outer Conductor	Brass	Copper-tin-zinc2μm
Nut	Brass	Ni 5μm
Insulator	TPX	
Gasket	Silicone Rubber	

Environment	
Temperature Range	-40°C~+85°C
Weather Standard	IEC60068 40/ 085/ 21
Thermal Shock	IEC60068-2-14-Na
Vibration	IEC60068-2-6-Fc
Shock	IEC60068-2-27
Waterproofing Standard	IP68
RoHS	Compliant(EU and China)

Assembly	
Cables supported	Amphenol AFY-50-14S, Andrew FSJ1-50A, Draka RFF1/4"-50, Eupen EC1-50-HF, RFS SCF14-50
WPS Boot	AF2040530

NOTE: The technical specification contains proprietary information and such information may not be disclosed to others for any particular purpose or used for manufacturing purposes without written permission from Amphenol Fuyang.

VER HISTORY			
Ver	Revised by	Revision note:	Date
1	libo	Add an o-ring to the connector body	2019.10.11
2	libo	Increase the distance between nut and connector from 1mm to 2mm	2019.10.23