

***HOLLAND***  
*Electronics LLC*

**ST-4000D**

**SIGNAL LEVEL METER**

# Table of Contents

<b>Features / Specifications</b> .....	1
<b>Keypad Illustration</b> .....	2
<b>Keypad Controls</b> .....	2
<b>Getting Started:</b>	
Powering the Meter.....	3
Quick Use Instructions.....	3
<b>Main User Instructions:</b>	
<b>1 Meter Set-Up Features</b> .....	4
1.1 Auto Off Time.....	4
1.2 Audio Set.....	4
1.3 Measurement Scale .....	4
<b>2 Selecting CATV, Sub-Band, VHF/UHF or Off-Air Digital Channels...</b>	5
<b>3 Configuring Channel Line Up</b> .....	5
3.1 Channel Plan.....	5
3.2 Channel Edit.....	5
<b>4 Meter Calibration</b> .....	6
4.1 Correct CH db (Calibration).....	6
4.2 Clear Correct (Restore Factory Calibration).....	6
<b>5 Scanning Channels – Saving and Viewing Data</b> .....	7
5.1 Scanning and Saving Data.....	7
5.2 Viewing Stored Data.....	7
<b>6 Measuring Signal Levels</b>	
6.1 Single (NTSC) Channel Signal Level Measurement - V, A or V/A	8
6.2 Single (ATSC) Channel Signal Level Measurement.....	8
6.3 Frequency Based Signal Level Measurement.....	8
<b>Warranty</b> .....	9

## FEATURES

---

- \* **Select Channels**     2 – 136 CATV (NTSC)  
                              T7 – T14        (NTSC)  
                              2 – 69 Off-Air (NTSC)  
                              2 – 69 Off Air (ATSC)
- \* **Select Frequency**    5-870 MHz
- \* **Measures Video, Audio, or V-A**  
                              dBmV or dBuV (selectable)
- \* **12 Hour Rechargeable Ni-MH Battery**
- \* **Auto Shut Off**
- \* **Charging LED**
- \* **Scan Selected Channels and Store Signal Level Data**

## SPECIFICATIONS

---

### Frequency and Level

Range:	5 to 870MHz in 10 kHz steps
Resolution Bandwidth:	280KHz ± 50KHz
Channels:	All user designated NTSC Channels, 2-69 ATSC
Level Range:	-28 dBmV to +55 dBmV (32dBµV to- 115dBµV)
Accuracy:	±2.5dB
Input impedance	75Ω
Wave detection	Peak value

### AUTO SCAN TESTING

Max Channel Scan:	135 Channels
Scan Range:	Ch 2-69 VHF/UHF, T7 - T14, Ch 2-136 CATV and Ch 2-69 ATSC
Scan Speed:	30 Channels/Min
Memory Groups	18 Groups (01--18) Each group stores up to 135 Channels

### OTHERS

Dimensions:	214mm x 94mm X 47mm
Weight:	1.4 kg (with charger)
Working Temperature:	-10°C to + 40°C
Display LCD:	16X2 LCD with back light

### POWER

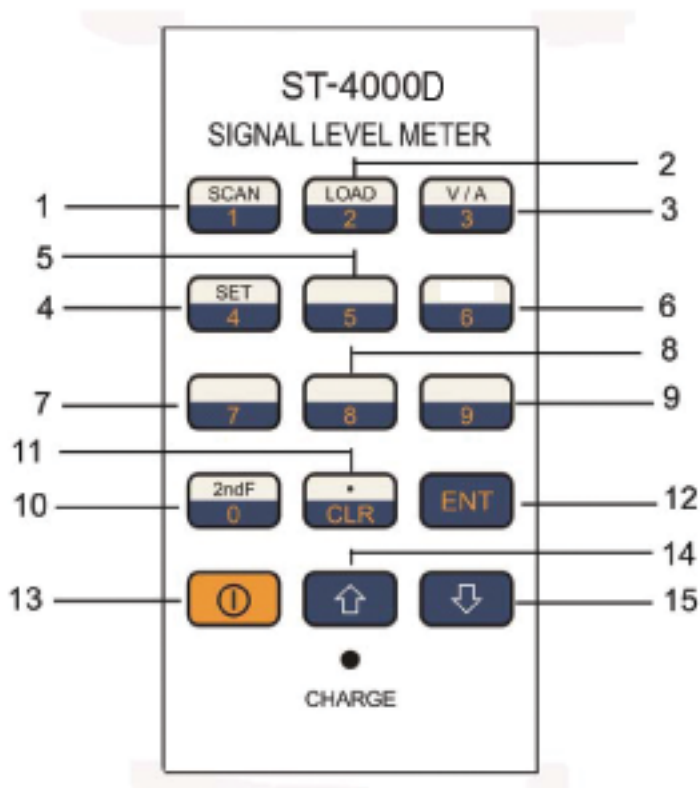
Battery:	7.2V/1.6AH Ni-MH
Power Supply / Battery Charger	AC 110V/60Hz ±10%
Battery Life:	5 hours of continuous operation
Recharging Time:	12 hours

### STANDARD ACCESORIES



Battery Charger:	1 pc
Carrying Case w/strap	1 set
Barrel Connector:	G-F81F*    2 pcs
Operators Manual	1 copy
Quick Users Guide	1 copy

Electronic copies of the Users Manual & Quick Users Guide are available on our website: [www.hollandelectronics.com/support.html](http://www.hollandelectronics.com/support.html)

## KEYPAD ILLUSTRATION



## KEYPAD CONTROLS

1. Numerical 1 / 2<sup>nd</sup> Operation **SCAN** – Scan and save signal level values for selected channels in a memory group
2. Numerical 2 / 2<sup>nd</sup> Operation **LOAD** - View data previously stored in a memory group
3. Numerical 3 / 2<sup>nd</sup> Operation **V/A** – Select Video, Audio or V/A carrier display screens
4. Numerical 4 / 2<sup>nd</sup> Operation **SET** – Access the meter Settings menu screens
- 5-9. Numerical 5-9
10. Numerical 0 / 2<sup>nd</sup> Operation **Function Key** – Pressing 2<sup>nd</sup> F activates the secondary programmed function of the next key that is pushed
11. **CLR** / . Pressing this key while in a menu screen will return to the previous menu. This key is also used as both a decimal point and the final key after entering a frequency value, before pressing ENT.
12. **ENT** Pressing **ENT** allows for entering desired function or setting
13.  **On/Off** – Turn meter power on or off
- 14-15.  **UP** Arrow – Increase the displayed channel or frequency. Also used to navigate through the Settings menu. **DOWN** Arrow - Decrease the displayed channel or frequency. Also used to navigate through the Settings menu
16. LED Indicator AC Power / Battery Charging Indicator

## Getting Started

---

### Powering the Meter

The ST-4000D can be powered either by the internal rechargeable Ni-MH batteries or by use of the included power supply/battery charger.

- A) **Using the external AC power supply:** Make sure that the available AC line voltage is 110-120V, 60 Hz. Connect the DC output plug from of the adapter / charger to the DC receptacle on the bottom of the ST4000D meter.
- B) **Powering the meter with internal batteries:** In order for the ST4000D meter to operate from the internal batteries, a sufficient charge must exist on the batteries. The recommended time to fully charge the batteries is 12 hours. Only use the power supply / battery charger included with the meter. The batteries charge whether the meter is switched on or off. The Red LED on the meter will illuminate whenever the power supply / battery charger is attached and plugged into an 110VAC source.

**Warning: Use Only The Power Supply / Battery Charger Supplied With The Meter. Use Of Any Other Will Void Warranty and Can Cause Damage Or Injury.**

### Quick Use Instructions

To become familiar with the basic operation of the meter it is suggested that the user initially try the following:

- 1) Charge the batteries using the supplied power supply/charger unit.
- 2) Turn the meter on by pressing the **On/Off** key and check settings in the Set Up menu as described in Section 1.
- 3) Check and set the meter to read CATV, VHF/UHF, Digital channels or Sub-Band as follows:
  - i) From any menu screen Press **CLR** then Press **2**, then Press **ENT**. The display will show **CH002** if the meter is set for CATV channels, **CH02** for VHF/UHF channels, **CH02 DIGITAL** for Digital channels or **T-07** for Sub-Band channels. To switch back and forth between the four, perform the following steps below, otherwise skip to step 4:
  - ii) Press the **On/Off** key to turn the meter off
  - iii) Press and hold the **SCAN** key while pressing the **On/Off** key
  - iv) The meter will power on and switch between CATV, VHF/UHF, Digital or Sub-Band channels. Repeating steps ii and iii will switch the selected channels again.
- 4) Carefully align the threads and connect the G-F81 type adapter to the RF Signal input port on the meter. Hand tighten until the adapter is fully seated. Over tightening the adapter with a tool can seriously damage the input port on the meter.
- 5) Connect the CATV or VHF/UHF signal source (cable line, antenna, etc) under test to the meter.
- 6) Press “▼” or “▲” to scroll through the available channels and note the measured video signal levels.
- 7) To switch and display the measured Audio level or V/A differential level values instead of the Video level, press the **0/2<sup>nd</sup>F** key and then press the **3/ V/A** key.

# MAIN USER INSTRUCTIONS

## 1 Meter Set-Up Features

---

Each of the following set-up functions is activated by first pressing the **0/ 2<sup>nd</sup>F** key followed by the **SET** key.

### 1.1 AUTO OFF TIME

The meter can be set to turn off after 5 minutes of inactivity or to remain on continuously. (The Meter is factory preset to the Always On setting)

Press “▼” or “▲” to point “→” to “Auto Off Time”. Press **ENT** key.

LCD will display:

5 Minutes Off Always On
----------------------------

Use “▼” or “▲” to choose the desired mode. Press **ENT** key.

### 1.2 AUDIO SET

Enable or disable the speaker to monitor the audio while measuring audio carrier signal levels.

Press “▼” or “▲” to point “→” to Volume Set. Press **ENT** key.

LCD will display:

Audio On Audio Off
-----------------------

Use “▼” or “▲” to choose the desired mode. Press **ENT** key.

### 1.3 LEVEL UNIT

Select the desired measurement scale of dB $\mu$ V or dBmV (Meter is factory preset to the dBmV measurement scale)

Press “▼” or “▲” to point “→” to “Level Unit”. Press **ENT** key.

LCD will display:

dB $\mu$ V    Disable dBmV    Enable
---

Use “▼” or “▲” to choose the desired mode. Press **ENT** key.

## 2 Selecting CATV, Sub-Band, VHF/UHF or Digital Off-Air Channels

---

The meter can be switched between CATV channels, Sub-Band, VHF/UHF channels and Digital Off-Air Channels. To determine how the meter is currently configured or to make a change, do the following:

From any menu screen Press **CLR** then Press 2, and then Press **ENT**.  
Check to see whether the displayed channel is **CH002** (CATV), **CH02** (VHF/UHF), **CH02 DIGITAL** (Digital Off-Air) or **T-07** (Sub-Band).

To switch back and forth between CATV, Sub-Band, VHF/UHF or Digital channels, perform the following steps:

- i. Press the **On/Off** key to turn the meter off
- ii. Press and hold the **SCAN** key while pressing the **On/Off** key
- iii. The meter will turn turned back on and switch between CATV, Sub-Band, VHF/UHF or Digital channels. Repeating steps i and ii will switch the selected channels again.

## 3 Configuring Channel Line Up

---

The meter is factory programmed to read CATV channels 2-136, Sub-Band T7 – T14, VHF/UHF channels 2-69 and Off-Air Digital Channels 2-69. Customized CATV, Sub-Band, VHF/UHF and Digital channel plans within these ranges can also be saved in the “User Plan” mode.

In order to select or edit the “User Plan” channels, the meter must first be set to the proper channel format (CATV, Sub-Band, VHF/UHF or Digital). If you are unsure which channel format is currently selected or want to change the selection, refer to Section 2.

### 3.1 CHANNEL PLAN

Select the factory programmed channel plan such as “NTSC CATV” or the custom “User Plan”  
Press the **0/2<sup>nd</sup>F** key and then the **SET** key.

Press “▼” or “▲” to point “→” to “Channel Plan”. Press **ENT** key.

Use “▼” or “▲” to select the desired plan. Press **ENT** key.

LCD will display:

→ NTSC CATV User PLAN
--------------------------

NTSC Channel Plan – CATV, Sub-Band or VHF/UHF  
**OR** Digital Off-Air Plan if the meter is set to Digital channels  
User defined Channel Plan

### 3.2 CHANNEL EDIT

Specific channels can be included or removed from the “User Plan”.

Press the **0/2<sup>nd</sup>F** key then the **SET** key.

Press “▼” or “▲” to point “→” to “Channel Edit”. Press **ENT** key.

Use “▼” or “▲” to select the desired channel. Pressing **SET** will toggle the display between ON (including the channel in the plan) and OFF (eliminating the channel from the plan).

Press “▼” or “▲” to move to the next channel. Press **ENT** key.

Repeat the process with the **SET** key to toggle the channel ON/OFF setting

LCD will display:

→ CH02 ON Press “SET” Edit
-------------------------------

Select CH02 (ON) or don't select (OFF)  
Press key “SET” to edit

## 4 Meter Calibration

---

This meter has been factory calibrated. The user can recalibrate each individual channel by connecting a CATV Sub-Band or VHF/UHF signal source with a known RF level to the meter input. The factory calibration of all channels can also be restored at any time.

### 4.1 CORRECT CH dB (Calibration) Only functional for CATV Sub-Band and VHF/UHF Channels

Adjust the displayed power level to match the input signal source level as follows:

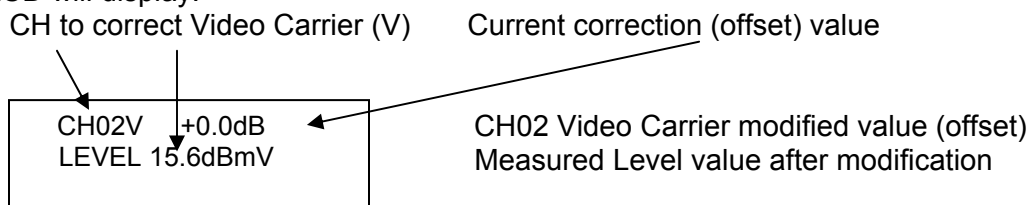
Press the **0/2<sup>nd</sup>F** key then the **SET** key.

Press “▼” or “▲” to point “→” to “Correct CH dB”. Press **ENT** key.

Use “▼” or “▲” to adjust the displayed **LEVEL** value to match the input signal source.

Press **SET** to save the calibration. Press “▼” or “▲” and repeat for the next channel.

LCD will display:



The displayed CH02V is the channel to be modified. The displayed mode is the video carrier. The calibration adjustment is applied to both the video carrier and audio carrier readings.

**NOTE:** User is not able to modify audio carrier calibration independently.

Press **CLR** when all channel calibration changes have been completed

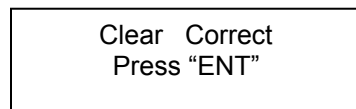
### 4.2 CLEAR CORRECT

Restore to the factory preset calibration values.

Press the **2<sup>nd</sup>F** key then the **SET** key.

Press “▼” or “▲” to point “→” to “Clear Correct”. Press **ENT** key.

LCD will display:



**NOTE:** If you have entered this menu by error and do not want to restore the factory calibration values, press **CLR** key to escape the operation and return to testing mode

Press **ENT** key again to confirm and restore the factory preset calibration values.

This function will take a few seconds. All the modifications are cleared (correct value =0dB)

## 5 Scanning Channels – Saving and Viewing Data

---

Channels within the CATV, Sub-Band, VHF/UHF or DIGITAL channel tables can be scanned and saved into one of the meter memory groups and then viewed at any time.

Prior to scanning channels there are two set-up steps:

- 1 The meter should be set for either CATV, Sub-Band, VHF/UHF or DIGITAL channels – Refer to Section 2
- 2 The customized “User Plan” or the factory preprogrammed channel plan “NTSC CATV” or DIGITAL “OFF-AIR” should be selected - Refer to Section 3

### 5.1 SCANNING and SAVING DATA

With the meter set to read the desired channel table, the designated channels can be scanned and saved into one of the memory groups.

Press the **0/2<sup>nd</sup>F** key and then the **SCAN** key  
LCD will display:

Scan No.00 Press “↑,↓, ENT”	Scan groups NTSC VHF/UHF 1-6 NTSC CATV 7-12 ATSC Off-Air 13-18 NTSC Sub-Band 19-24
--------------------------------	--

Press “▼” or “▲” to select a storage location - Groups 01-06 (VHF/UHF) 7-12 (CATV), 13-18 (Digital) or 19-24 (Sub-Band). After selecting the desired Group, press the **ENT** key to confirm.

The meter will scan and save all channels. To escape from this operation, press the **CLR** key.

**Note:** Data stored into any memory group during automatic scanning can be overwritten by running automatic scanning again.

### 5.2 VIEWING STORED DATA

Data measured and stored into a memory group during a SCAN operation can be viewed.

Press the **0/2<sup>nd</sup>F** key. Press the **LOAD** key

LCD will display:

CH02 V LOAD01 LEVEL 18.7dBmV	CH No. 2 Video from Group:01 Stored video carrier signal level
---------------------------------	---

Press the “▼” or “▲” key to select the memory group to display. Press the **ENT** key  
Press the “▼” or “▲” key to view all scanned channels. To escape press the **CLR** key.

**If no data is stored,**

LCD will display:

No Channel Saved	No Channel Level Stored (Meter will auto escape to channel measurement mode)
------------------	---

## 6 Measuring Signal Levels

---

### 6.1 SINGLE (NTSC) CHANNEL SIGNAL LEVEL MEASUREMENT - VIDEO, AUDIO or V/A

(Select CATV, Sub-Band or VHF/UHF channels first – Section 2)

#### Not functional for Digital channels

Press the **0/2<sup>nd</sup>F** key. Press the **V/A** key to enter this measurement mode.

To change between Video, Audio and V/A, press the **0/2<sup>nd</sup>F** key and then the **V/A** key.

Press the “▼” or “▲” key to view desired channel.

LCD will display:

CH002V	55.25MHz
LEVEL:	18.7dBmV

VIDEO Test Mode

CH002A	59.75MHz
LEVEL:	5.0dBmV

AUDIO Test Mode

CH002V	55.25MHz
△V/A:	13.7 dBmV

V/A Test Mode

### 6.2 SINGLE (ATSC) CHANNEL SIGNAL LEVEL MEASUREMENT

(Select Digital Off-Air channels first – Refer to Section 2)

Press the **0/2<sup>nd</sup>F** key.

Press the “▼” or “▲” keys to view desired channel or enter the channel number and press the ENT key.

LCD will display:

CH02	DIGITAL
LEVEL:	18.7dBmV

### 6.3 FREQUENCY BASED SIGNAL LEVEL MEASUREMENT (NTSC only)

(Select CATV, Sub-Band or VHF/UHF channels first – Refer to Section 2)

To measure the signal level of a specific frequency between 5MHz and 870MHz

Use the numerical keys and the **CLR/.** decimal point key to enter the desired frequency.

Press the **ENT** key to confirm.

LCD will display:

FREQ	87.50MHz
LEVEL:	10.0dBmV

Selected Frequency  
Measured Signal Level

## HOLLAND ELECTRONICS LLC LIMITED WARRANTY

**Holland Electronics LLC warrants that the product enclosed with this Limited Warranty statement will conform to the manufacturer's specifications and be free of defects in the workmanship and material for a period of one-year (1) from the date of original purchase.**

### **WARRANTY PROCEDURE:**

**If the product appears to be defective contact Holland Electronics LLC at (805) 339-9060. We will analyze the problem and offer solutions to prevent removing the unit from service. If no solution is found, and the unit must be returned for repair, you will be issued a Return Authorization (RA) number.**

**Holland Electronics LLC will, at its option, repair or replace the defective unit under warranty, without charge for parts or labor. This repair will be subject to charges if signs of tampering or misuse are detected. Incoming shipping costs will be the customer's responsibility. Returns will not be accepted without an RA number.**

**The warranty and remedy provided above are exclusive and in lieu of all other express warranties and unless stated herein, any statements or representations made by any other person or firm are void. The duration of any implied warranties of merchantability or fitness for a particular purpose on this product shall be limited to the duration of the warranty set forth above. Except as provided in this written warranty, Holland Electronics LLC shall not be liable for any loss, inconvenience, damage, including direct, special, incidental, or consequential damages, resulting from the use or inability to use this product, whether resulting from breach of warranty or any legal theory.**

**Some states do not allow limitations on how long an implied warranty lasts and some states do not allow the exclusion or limitation of incidental or consequential damages, so the above limitation and exclusion may not apply to you.**

**The warranty gives you specific legal rights, and you may also have other rights, which vary from state to state.**

**To arrange for warranty service: Call Holland Electronics LLC (805) 339-9060**

**Return Address with appropriate Return Authorization Number:**

**2935 Golf Course Drive  
Ventura, CA 93003**