

# SLCU SERIES COMPRESSION CONNECTORS

MODELS SLCU-\* : SLCU-\*RCA : SLCU-\*BNC



SLCU-\* SERIES  
F TYPE



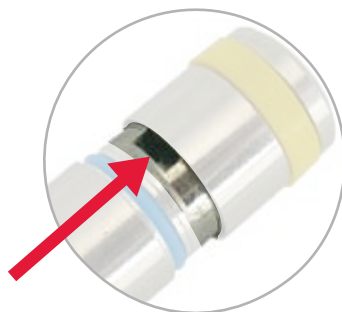
SLCU-\*RCA SERIES  
RCA TYPE



SLCU-\*BNC SERIES  
BNC TYPE

## FEATURES

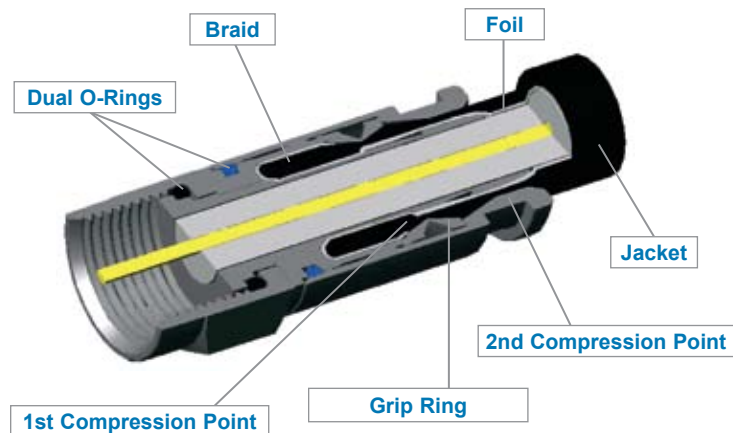
- **All-Metal Construction**
- **Dual O-Ring Moisture Sealing** (*F Type*)
- **Dual Compression Points**
- **Patented Cable Viewing Window**
- **Patented Internal-Grip Ring**
- **1-Piece Fixed Pin Design for BNC & RCA**
- **Color-Coded Application Bands** (*SRR*)



**SIDE VIEWING WINDOW**  
Patented cable-insertion viewing window helps to ensure cable is fully seated inside of connector.

## SUPERLOK COMPRESSION CONNECTORS

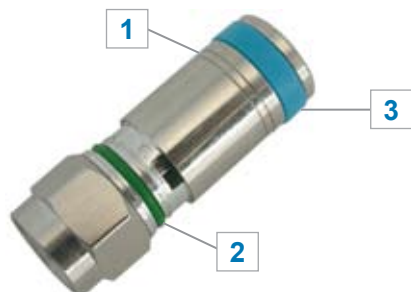
The **Superlok™** series compression connector utilizes two independent compression points to seal and hold the coaxial cable to the connector. Our patented viewing window allows users to determine when complete cable insertion has been achieved prior to compression.



Applicable Patents - reference: B / J / T - See page 111 for patent details

# SLCU SERIES COMPRESSION CONNECTORS

## SLCU IDENTIFICATION



1. Marking grooves used to indicate cable braid configuration.
2. Colored-front O-Rings for visual verification of cable type.  
*(Also provides improved moisture sealing)*
3. Rear groove for SRR marking bands to indicate application.

CABLE TYPE	MARKING (1)	ID (2)
Standard 6	No Grooves	Blue O-Ring
Tri-Shield 6	1 Groove	Black O-Ring
Quad-Shield 6	2 Grooves	Green O-Ring
Triple O-Ring 6	3 Grooves	Blue O-Ring
Triple O-Ring Quad-Shield 6	3 Grooves	Green O-Ring

CABLE TYPE	MARKING (1)	ID (2)
Standard 59	No Grooves	Red O-Ring
Tri-Shield 59	1 Groove	Yellow O-Ring
Quad-Shield 59, HEC2	2 Grooves	Yellow O-Ring
Standard 11	No Grooves	Black O-Ring
Quad-Shield 11	2 Grooves	Green O-Ring

## SPECIFICATIONS

### ELECTRICAL

Frequency	DC - 3 GHz
Insertion Loss (Max)	.1 dB
Return Loss (Min)	30 dB

### MECHANICAL

Material	Brass
Cable Strip Length	1/4" x 1/4"

*NOTE: All specifications typical unless otherwise noted*

## HOLLANDS' MALE F SUPERLOK™ CONNECTORS COMPLY WITH SCTE 123 2006 AND HAVE BEEN TESTED TO THE FOLLOWING SPECIFICATIONS:

SCTE 60 2004	Moisture Migration	Pass
SCTE 48-1 2007	Shielding	>90 dB @ 1002 MHz
SCTE IPS-TP-406	Salt Spray	Pass
SCTE IPS-TP-400	Tightening Torque	Pass
SCTE 73 2007	Insertion Force	< 20 lbs.
SCTE 04 2007	Return Loss	> 30 dB @ 1002 MHz

## SRR-\* REPLACEABLE BANDS (note: \* = Color)

Easily identify application source with **SRR Marking Bands**.



BL = BLUE	W = WHITE	B = BLACK	Y = YELLOW	G = GREEN	P = PURPLE	R = RED
-----------	-----------	-----------	------------	-----------	------------	---------

**EXAMPLE:** Yellow=Video, Red=Audio, etc.

\* SEE SUPPORT SECTION OF OUR SITE ([WWW.HOLLANDELECTRONICS.COM/SUPPORT](http://WWW.HOLLANDELECTRONICS.COM/SUPPORT)) FOR CONNECTOR INSTALLATION INSTRUCTIONS.

# CONNECTOR SELECTION CHART

MODELS SLCU-\* : SLCU59-\* : SLC6-\*



## SERIES 59 CABLE

MODEL #	DESCRIPTION	PLATING	CLOSURE SIZE
SLCU-59-1	F Male	Nickel	21 mm
SLC59-HEC	F Male / Tri-Shield	Nickel	21 mm
SLCUHEC2-1	F Male / Head-End	Nickel	21 mm
SLC59-RCA-1	RCA Male / Fixed Pin / 1 Piece	Nickel	29.8 mm
SLC59-RCAG-1	RCA Male / Fixed Pin / 1 Piece	Gold	29.8 mm
SLC59-BNC-1	BNC Male / Fixed Pin / 1 Piece	Nickel	29.8 mm
SLC59-BNCG-1	BNC Male / Fixed Pin / 1 Piece	Gold	29.8 mm



## SERIES 6 CABLE

MODEL #	DESCRIPTION	PLATING	CLOSURE SIZE
SLCU-6-1	F Male	Nickel	21 mm
SLCU-6T	F Male / Tri-Shield	Nickel	21 mm
SLCU-6Q-1	F Male / Quad-Shield	Nickel	21 mm
SLCU-6-O-1	F Male w / Triple O-Ring	Nickel	21 mm
SLC-6M	F Male / Short	Nickel	20.1 mm
SLCU-6QO-1	F Male / Quad-Shield w/ Triple O-Ring	Nickel	21 mm
SLC6-RCA-1	RCA Male / Fixed Pin / 1 Piece	Nickel	29.8 mm
SLC6-RCAG-1	RCA Male / Fixed Pin / 1 Piece	Gold	29.8 mm
SLC6Q-RCA-1	RCA Male / Fixed Pin / Quad-Shield / 1 Piece	Nickel	29.8 mm
SLC6Q-RCAG	RCA Male / Fixed Pin / Quad-Shield / 1 Piece	Gold	29.8 mm
SLC6-BNC-1	BNC Male / Fixed Pin / 1 Piece	Nickel	29.8 mm
SLC6-BNCG	BNC Male / Fixed Pin / 1 Piece	Gold	29.8 mm
SLC6Q-BNC-1	BNC Male / Fixed Pin / Quad-Shield / 1 Piece	Nickel	29.8 mm
SLC6Q-BNCG	BNC Male / Fixed Pin / Quad-Shield / 1 Piece	Gold	29.8 mm

\* Series 6 photos shown with optional SRR bands.

\* See support section of our site ([www.hollandelectronics.com/support](http://www.hollandelectronics.com/support)) for connector installation instructions.